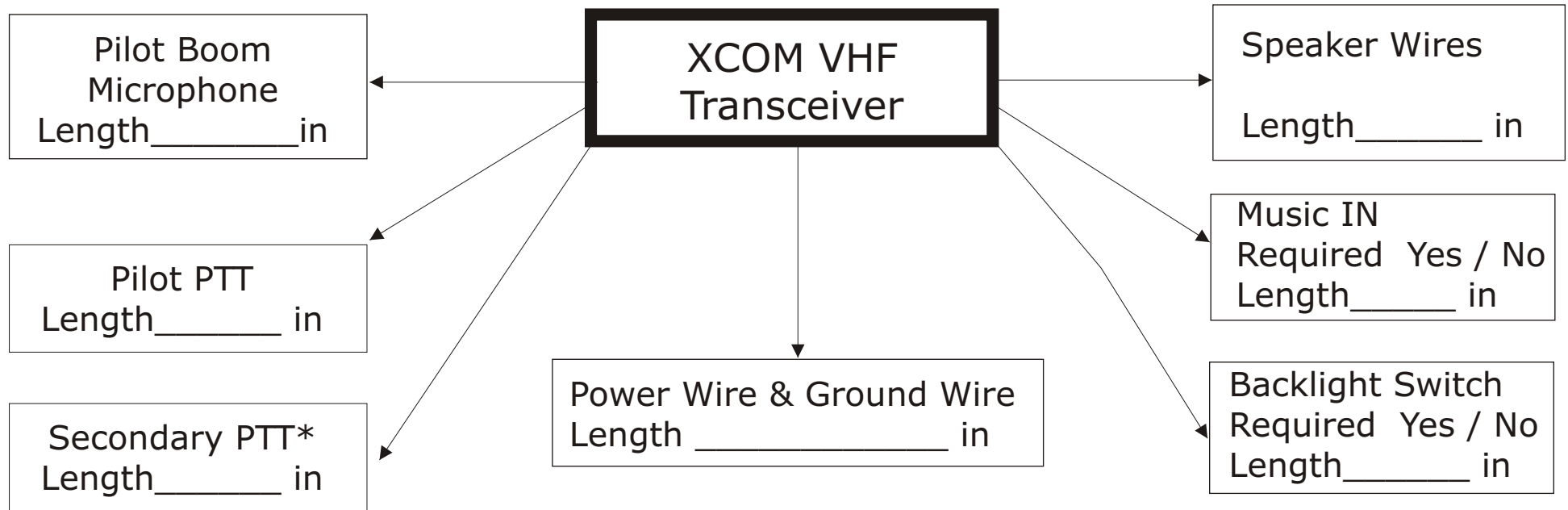


XCOM Transceiver Single Seat Glider Wiring Data Sheet



Fax back to
XCOM Avionics
+61 7 5568 7772
Customer Name: _____
Aircraft Type: _____
Email details: _____

XCOM-Single-Seat-Glider-Wiring-Data-Sheet-Inches.cdr

- Several of the above items are optional, for example if your aircraft has a single seat you do not need the PTT for copilot or Intercom On/Off etc.. Please answer **Yes** or **No** to all questions which require an option.
- Indicate wire length on **every** item in millimetres.
- We make the harness according to your information, if its too short it will not fit. Be aware if it's too long you will have extra wire coiled around. Please provide us with the correct length needed.
- If you don't know mm please visit our website <http://www.mcp.com.au> and download our conversion calculator which does over 1200 conversions.
- * Secondary PTT can be used for memory operations and flip flop etc remotely